

**Valves / Ball Valves / Ball Valves - for Flammable Gases (Female-Female)**

**CONSTRUCTIVE PROPERTIES**

	STANDARD	OPTIONAL
Case	Brass Nickel Coated	-
Ball	Brass Chrome Plated	-
Handle	Steel	-
Ball Seats	PTFE (Teflon)	-
Transmission Shaft	Brass Nickel Coated	-

**USAGE PROPERTIES**

Conformity	TS EN 331	-
Operating Temperature	-	-
Max.Pressure	5 bar	-

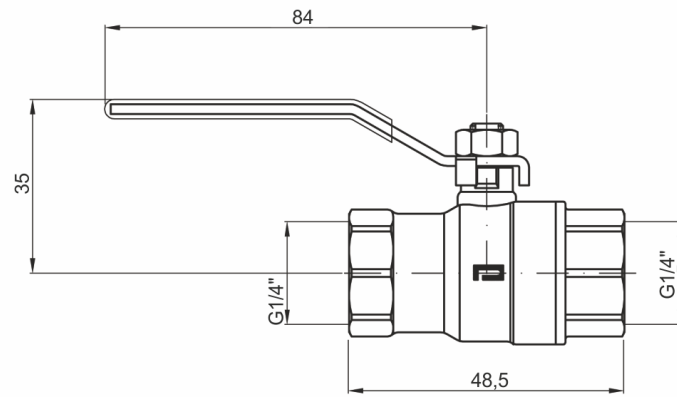


**0920110500**

Ball Valves - for Flammable Gases  
(Female-Female)

www.Laheghi.com

Valves / Ball Valves / Ball Valves - for Flammable Gases (Female-Female)



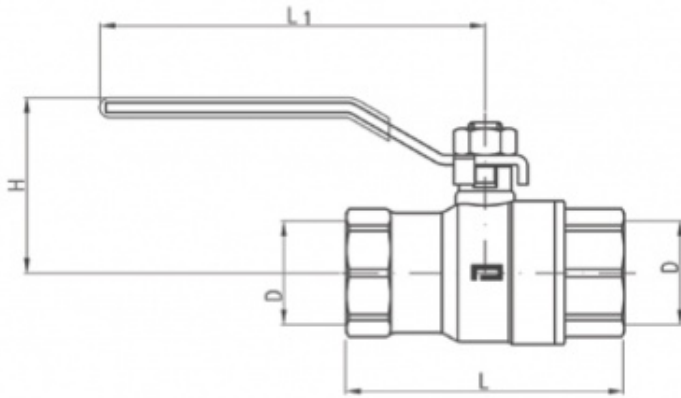
Model No: 0920110500

www.Laheghi.com

**PAKKENS® VALF**

**Ball Valves / Flammable**

▶ Ball Valves



- Sand Blasted**
- Nickel Plated**
- MOP 5**
- RoHS**
- TS**
- TS EN 331**
- TS EN ISO 9001:2008**
- CE 0036**
- PG**

**Usage Temperature**  
-40°C + 60°C

**Usage**  
F-F, Full Flow

**Areas of Usage**  
Flammable gases, natural gas

**Nominal Pressure**  
Mop 5

**Connection Sizes**  
DIN ISO 228/1

**Optional**  
NPT, BSPT

**Connection Sizes**

Code #	D.	L.	L1	H	Kg.
0920110500	G 1/4"	48,5	84	35	0,112
0923110500	G 3/8"	49	84	35	0,138
0926110500	G 1/2"	58	97	44	0,180
0929110500	G 3/4"	68	97	46,5	0,276
0932110500	G 1"	83	117	52	0,506
0935110500	G1 1/4"	98	117	57	0,950
0938110500	G 1 1/2"	109	155	73	1,162
0941110500	G 2"	129	155	80	1,815